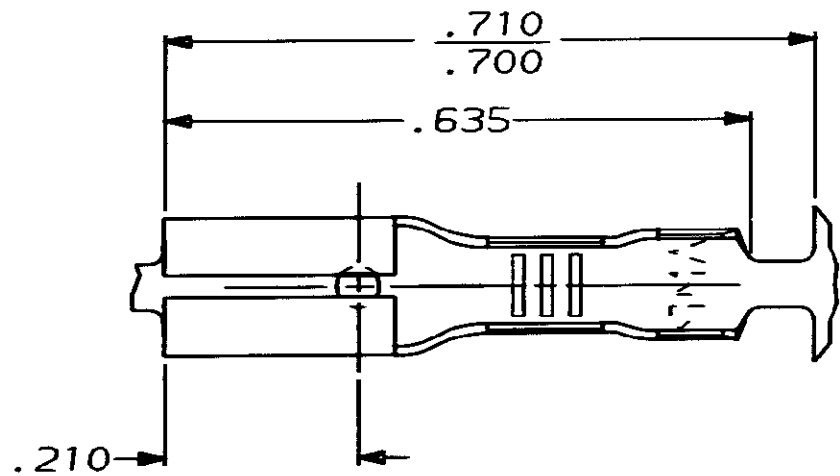


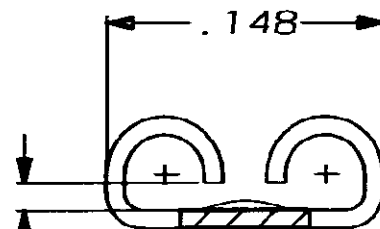
DRAWING MADE IN THIRD ANGLE PROJECTION

THIS DRAWING IS UNPUBLISHED. RELEASED FOR PUBLICATION .19
 © COPYRIGHT 19 BY AMP INCORPORATED. ALL INTERNATIONAL RIGHTS RESERVED.

LOC	DIST	P	F	REVISIONS				
				ZONE	LTR	DESCRIPTION	DATE	APPD
AF	50			Z		REDRAWN AF-7354	3/27/91	JR

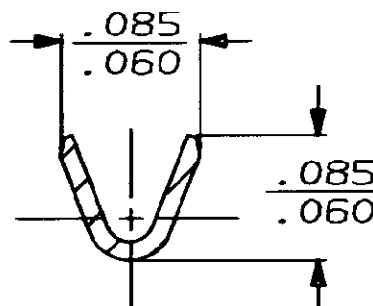
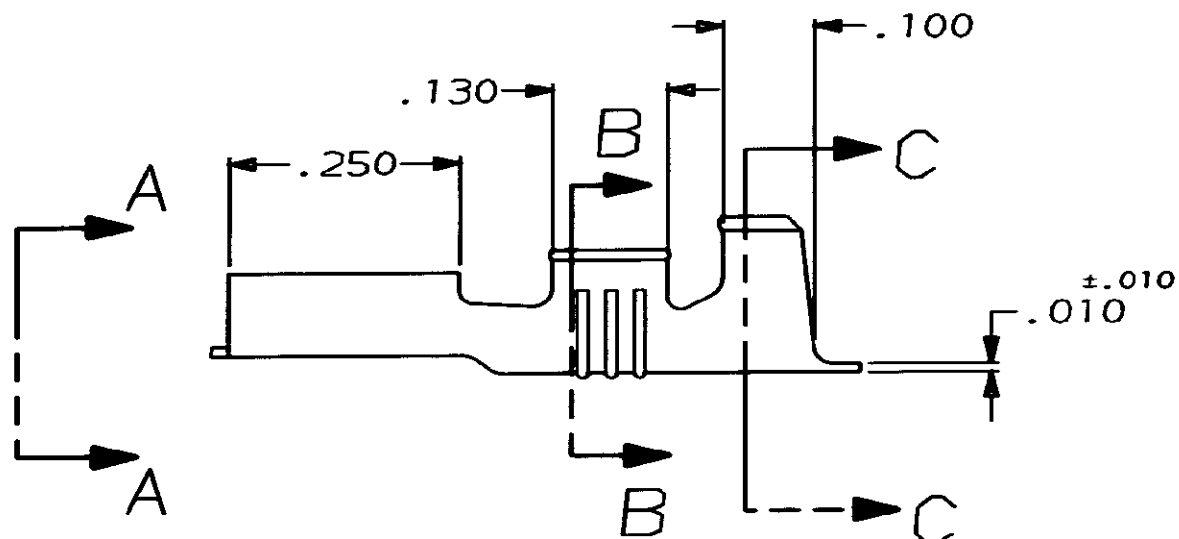


1 CONTINUOUS STRIP ON REELS.

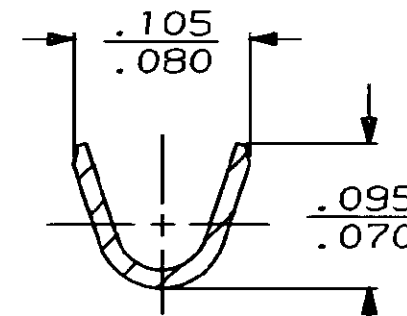


FITS .110 SERIES FASTON TABS

VIEW A-A
SCALE 10:1



SECTION B-B
SCALE 10:1



SECTION C-C
SCALE 10:1

OBSOLETE	—GOLD—	.040-.060	#24-#22	.020	42067-2
	PRE-TIN				
	FINISH	INSUL RANGE	WIRE SIZE	MATING TAB THK ±.001	PART NO
DO NOT SCALE PRINT. UNLESS SPECIFIED DIMENSIONS ARE IN INCHES TOLERANCES ON: 2 PLC DEC ± - 3 PLC DEC ± .015 ANGLES ± -		DR 3/27/91 JR RUTH CHK 3/27/91 MS FEHR APPD 3/27/91 C MEYERS APPD 3/27/91 D REINER PRODUCT SPEC -		AMP AMP Incorporated Harrisburg, PA 17105-3608	
MATERIAL #4H BRASS		APPLICATION SPEC -		NAME RECEPTACLE, FASTON, .110 SERIES	
FINISH SEE TABLE		WEIGHT -		SIZE B	CAGE CODE 00779
				DRAWING NO 42067	SCALE 5:1
				SHEET 1 OF 1	